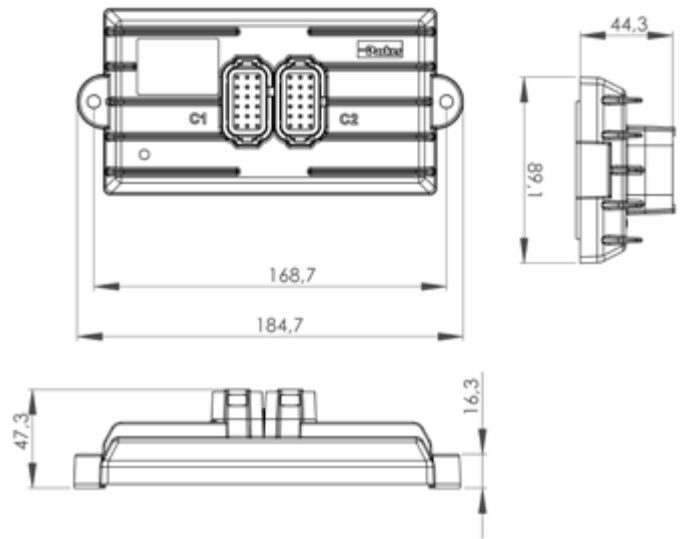


# Mounting dimensions



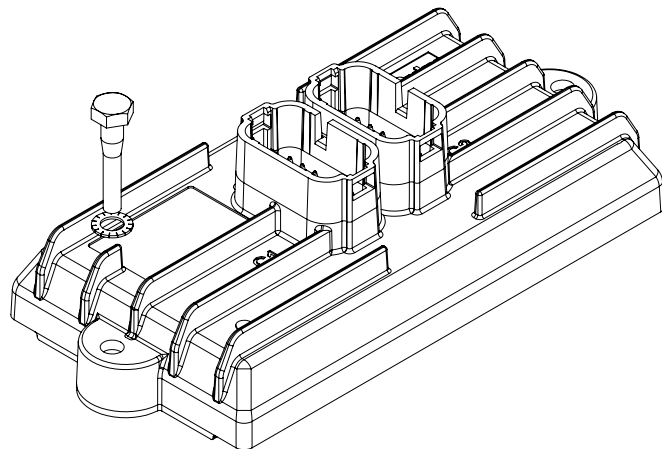
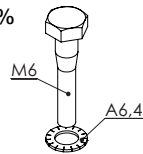
units = mm

## NOTICE

The torque recommendation is for information only. The exact value for the installation must be determined by customer tests.

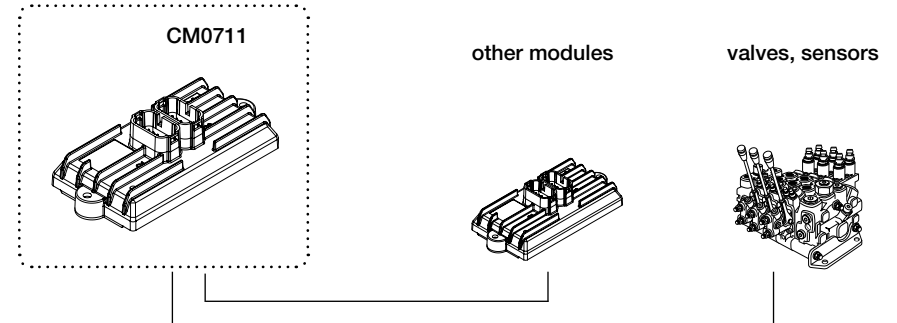
- Screws and washers are to be supplied by the customer.

Tt = 9 Nm ±10%



# Installation CM0711

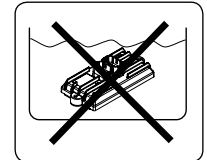
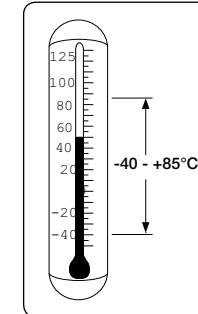
Publ.no: HY33-4201-IS/UK  
Ed. 08/2017



## NOTICE

Connectors must be properly installed to meet environmental specification.

- Sealing plugs must be inserted in all unused pin positions.
- All connectors must be installed.



## WARNING

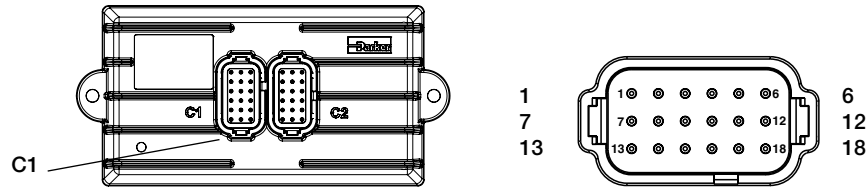
**FAILURE OR IMPROPER SELECTION OR IMPROPER USE OF THE PRODUCTS AND/OR SYSTEMS DESCRIBED HEREIN OR RELATED ITEMS CAN CAUSE DEATH, PERSONAL INJURY AND PROPERTY DAMAGE.**

This document and other information from Parker Hannifin Corporation, its subsidiaries and authorized distributors provide product and/or system options for further investigation by users having technical expertise. It is important that you analyze all aspects of your application, including consequences of any failure, and review the information concerning the product or system in the current product catalogue. Due to the variety of operating conditions and applications for these products or systems, the user, through its own analysis and testing, is solely responsible for making the final selection of the products and systems and assuring that all performance, safety and warning requirements of the application are met.

The products described herein, including without limitation, product features, specifications, designs, availability and pricing, are subject to change by Parker Hannifin Corporation and its subsidiaries at any time without notice.

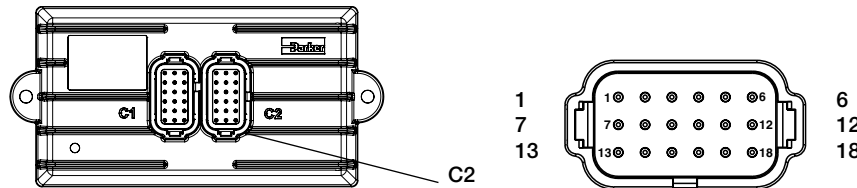


Eng.no:



| Pin | Signal/Function     | Pin | Signal/Function | Pin | Signal/Function     |
|-----|---------------------|-----|-----------------|-----|---------------------|
| 1   | IGNITION_INPUT      | 7   | BOOTMODE        | 13  | ADDR_H              |
| 2   | CAN2_SHLD           | 8   | NO_CONNECT      | 14  | ADDR_L              |
| 3   | CAN2_HI             | 9   | CAN2_LO         | 15  | -VBATT (GND)        |
| 4   | CAN1_LO             | 10  | CAN1_HI         | 16  | -VBATT (LSO ground) |
| 5   | CAN1_SHLD           | 11  | SENSOR_GND      | 17  | +VBATT (HSO supply) |
| 6   | SENSOR_SUPPLY (+5V) | 12  | +VBATT (SUPPLY) | 18  | +VBATT (HSO supply) |

Mating connector: Housing, Deutsch DT16-18SB;  
 Terminals, Deutsch 1062-16-0122 (dependent on wire size);  
 Sealing plugs, 114017



| Pin | Signal/Function | Pin | Signal/Function | Pin | Signal/Function |
|-----|-----------------|-----|-----------------|-----|-----------------|
| 1   | LS_OUTPUT1      | 7   | LS_OUTPUT4      | 13  | LS_OUTPUT3      |
| 2   | LS_OUTPUT2      | 8   | ANALOG_INPUT1   | 14  | HS_OUTPUT7      |
| 3   | ANALOG_INPUT2   | 9   | FREQ_INPUT1     | 15  | HS_OUTPUT5      |
| 4   | ANALOG_INPUT5   | 10  | FREQ_INPUT2     | 16  | HS_OUTPUT6      |
| 5   | HS_OUTPUT2      | 11  | ANALOG_INPUT3   | 17  | HS_OUTPUT3      |
| 6   | HS_OUTPUT1      | 12  | ANALOG_INPUT4   | 18  | HS_OUTPUT4      |

Mating connector: Housing, Deutsch DT16-18SC;  
 Terminals, Deutsch 1062-16-0122 (dependent on wire size);  
 Sealing plugs, 114017

Connector kit: Parker ordering no.: CM Controllers Accessories (Catalogue HY33-4910/UK)

Address (IDtag) input: 1  
 Input voltage range: 0 - 3.3 V

The address IDtag shall be connected to addressing IDtag supply pin and address input pin. Do not use any external sensors or external voltage on these pins.

Id-Tag (Address units) Deutch terminals

| Address | Parker ordering number <sup>1</sup> | Resistance (ohms) |
|---------|-------------------------------------|-------------------|
| 0       | 20085050                            | 294               |
| 1       | 20085051                            | 590               |
| 2       | 20085052                            | 976               |
| 3       | 20085053                            | 1.5K              |
| 4       | 20085054                            | 2.23K             |
| 5       | 20085055                            | 3.36K             |
| 6       | 20085056                            | 5.3K              |
| 7       | 20085057                            | 9.53K             |

<sup>1</sup> Ordered in 10-pack only, use Parker ordering number.  
 Check the latest order information from IQAN Accessories (Catalogue HY33-8319/UK) always before placing an order.

Prototype installation cables

|    | Description                    | Parker ordering number <sup>1</sup> |
|----|--------------------------------|-------------------------------------|
| C1 | Cable 2,5 meters, black, key B | 5030217                             |
| C2 | Cable 2,5 meters, black, key C | 5030218                             |

<sup>1</sup> Check the latest order information from IQAN Accessories (Catalogue HY33-8319/UK) always before placing an order.

